

# 060-0900 Recessed Mount Plunger Bolt



This plunger bolt was designed for small compartment and access doors where low cost slam action latching is desired. It features a plastic plunger bolt for ease of closing/opening and a flange mount that allows for internal door mounting (recessed).

#### **FEATURES/BENEFITS:**

- .500" (12.7mm) allowable travel
- Low operating efforts
- Corrosion resistant
- Non-metallic plunger bolt
- Flange mount allows for internal door mounting (recessed)

#### **Global Locations:**

**TriMark Corporation**  
500 Bailey Avenue  
P.O. Box 350  
New Hampton, Iowa 50659  
United States  
Tel: 641-394-3188  
Fax: 641-394-2392  
1-800-447-0343  
www.trimarkcorp.com

**TriMark Europe**  
Cedar Court  
Walker road  
Bardon Hill  
Coalville LE67 1TU  
United Kingdom  
Tel: +44(0)1530 512460  
Fax: +44(0)1530 512461  
www.trimarkeu.com

**TriMark (Xuzhou)**  
Building A5 Jingwu Road  
Xuzhou Economic  
Development Zone  
Xuzhou, Jiangsu  
221004 PR China  
Tel: +86 516 8773 0018  
Fax: +86 516 8773 0058  
www.trimarkcn.com



TriMark. Interactive. Product. Selector



TriMark



TriMark Corporation

**FINISH:**

- Black painted

**MATERIAL:**

- Base, cover, slide: cold rolled steel
- Spring: stainless steel
- Plunger: nylon

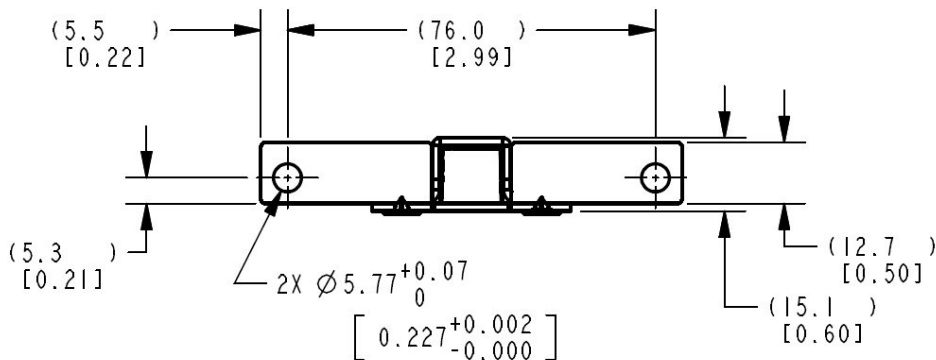
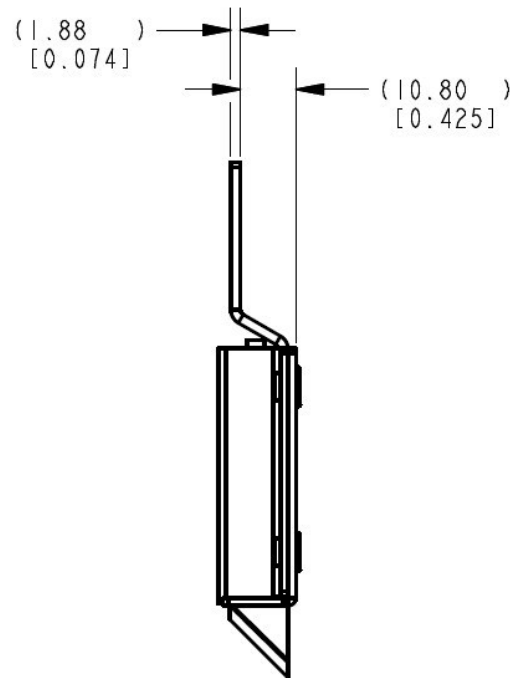
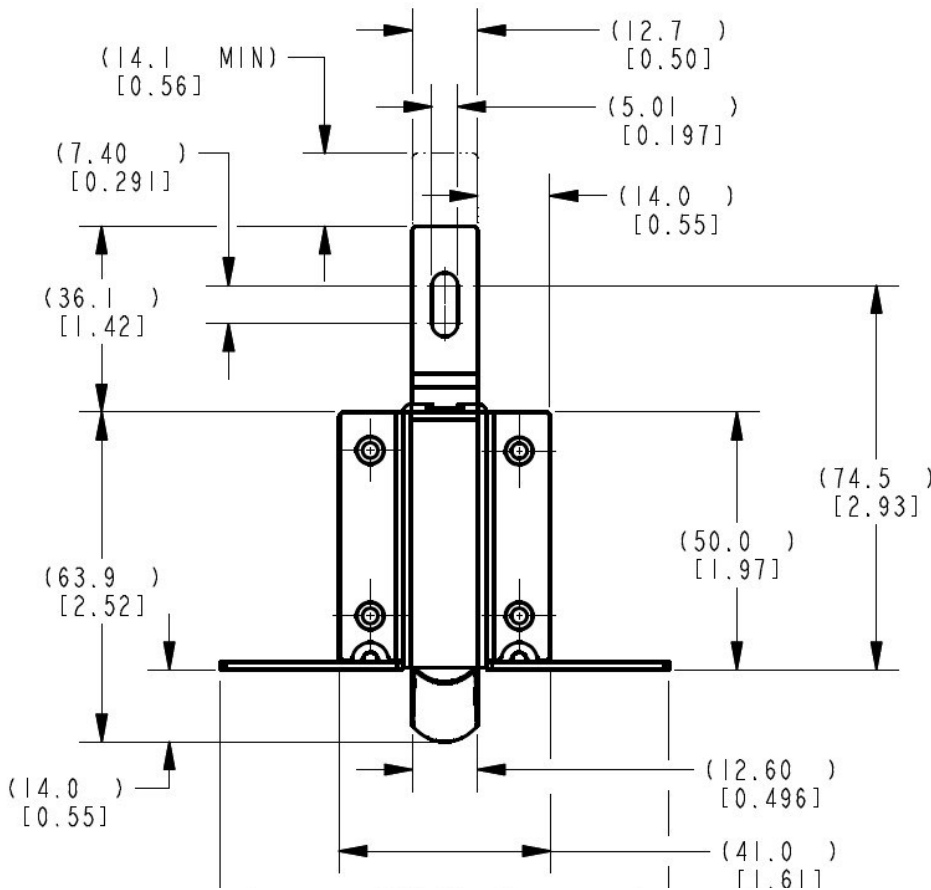
**AVAILABLE:**

- Custom rods up to .188" (4.5mm) diameter

**INSTALLATION:**

- Recommended use of (2) 3/16" (4.5mm) diameter pop rivets or #12 type AB, B or BP steel thread forming screws

Individual part dimensions are for reference only. Refer to individual part drawings for complete dimensions, specifications, and installation procedures. Engineering assistance and application drawings are available.



For more information visit  
[www.trimarkcorp.com](http://www.trimarkcorp.com)